

# Maneurop<sup>®</sup> reciprocating compressors

MT - MTZ - LTZ - NTZ - 50 Hz

R404A - R507A - R407C - R134a - R22

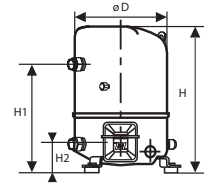
## PRODUCT RANGE

		Nominal voltage								
		208-230/1/60	200-230/3/60	400/3/50 460/3/60	230/1/50	230/3/50	500/3/50 575/3/60	380/3/60		
Model		Motor voltage code								
		1	3	4	5	6	7	9		
M-HBP Applications	1 cylinder	MT/MTZ018	●	●	●	●	●			
		MT/MTZ022	●	●	●	●	●		●	
		MT/MTZ028	●	●	●	●	●		●	
		MT/MTZ032	●	●	●	●	●	●	●	
		MT/MTZ036	●	●	●	●	●		●	
		MT/MTZ040	●	●	●		●			
	2 cylinders	MT/MTZ044	●	●	●		●	●	●	
		MT/MTZ045		●	●					
		MT/MTZ050	●	●	●	●	●	●	●	
		MT/MTZ051		●	●					
		MT/MTZ056	●	●	●		●	●	●	
		MT/MTZ057		●	●					
		MT/MTZ064	●	●	●		●		●	
		MT/MTZ065		●	●					
	4 cylinders	MT/MTZ072		●	●		●		●	
		MT/MTZ073		●	●					
		MT/MTZ080		●	●		●		●	
		MT/MTZ081		●	●					
		MT/MTZ100		●	●		●	●	●	
		MT/MTZ125		●	●		●	●	●	
Tandem 2 x 4	MTM/MTZ200 T		●	●		●	●	●		
	MTM/MTZ250 T		●	●		●	●	●		
	MTM/MTZ288 T		●	●		●	●	●		
	MTM/MTZ320 T		●	●		●	●	●		
LBP Applications	1 cyl.	LTZ022	●	●	●	●				
		LTZ028	●	●	●	●				
		LTZ040			●					
	2 cyl.	LTZ044	●	●	●		●		●	
		LTZ050	●	●	●		●		●	
	4 cyl.	LTZ088		●	●		●		●	
		LTZ100		●	●		●		●	
	2 x 4	LTZ176 T		●	●		●		●	
		LTZ200 T		●	●		●		●	
	1 cyl.	NTZ048	120F0072	120F0029	120F0001	120F0087				
		NTZ068	120F0073	120F0031	120F0002	120F0088				
		2 cyl.	NTZ096	120F0074	120F0033	120F0003				
			NTZ108	120F0075	120F0035	120F0004				
			NTZ136	120F0076	120F0037	120F0005				
		4 cyl.	NTZ215		120F0039	120F0006				
			NTZ271		120F0041	120F0007				
		2 x 4	NTZ430 T			120F0024				
			NTZ542 T			120F0025				

M-HBP: Medium High Back Pressure - LBP: Low Back Pressure  
NTZ code 1 & 5 available end 2006

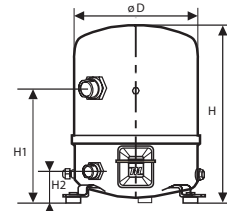
### 1 cylinder

D : 225 mm  
H : 333/358 mm  
H1 : 263 mm  
H2 : 68 mm



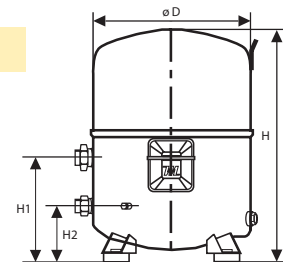
### 2 cylinders

D : 288 mm  
H : 415 mm  
H1 : 266 mm  
H2 : 75 mm



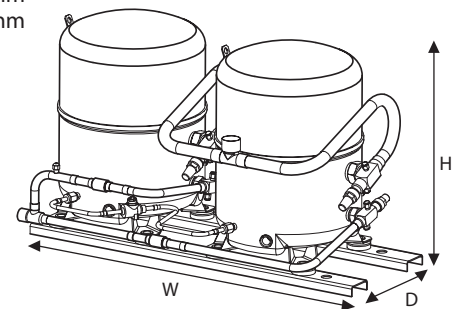
### 4 cylinders

D : 352 mm  
H : 519/540 mm  
H1 : 233 mm  
H2 : 125 mm

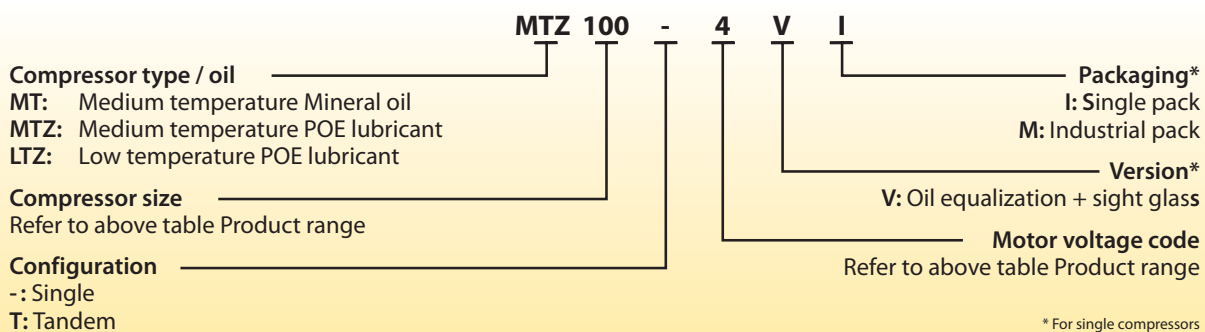


### Tandem 2 x 4

H : 544/565 mm  
D : 515 mm  
W : 925 mm



## CODE NUMBERS FOR ORDERING MT, MTZ, LTZ SERIES











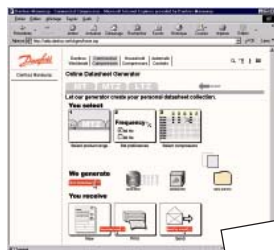


Model	To	-45		-40		-35		-30		-25		-20		-15		-10	
	Tc	Qo	Pe	Qo	Pe	Qo	Pe	Qo	Pe	Qo	Pe	Qo	Pe	Qo	Pe	Qo	Pe
NTZ048	35	370	0.46	660	0.67	1 140	0.89	1 610	1.10	2 160	1.30	2 800	1.49	3 550	1.64	4 400	1.76
	45	190	0.35	420	0.59	710	0.84	1 240	1.09	1 700	1.34	2 240	1.57	2 860	1.79	3 570	1.99
	55	-	-	-	-	430	0.73	700	1.01	1 030	1.30	1 660	1.59	2 160	1.87	2 720	2.13
NTZ068	35	790	1.04	1 220	1.26	1 980	1.48	2 670	1.71	3 480	1.94	4 430	2.18	5 520	2.43	6 780	2.70
	45	520	1.02	870	1.28	1 290	1.54	2 110	1.81	2 785	2.09	3 570	2.38	4 490	2.68	5 540	2.99
	55	-	-	-	-	900	1.58	1 300	1.90	1 790	2.23	2 800	2.57	3 540	2.93	4 390	3.30
NTZ096	35	-	-	1 400	1.43	2 310	1.77	3 190	2.12	4 290	2.47	5 620	2.81	7 220	3.15	9 100	3.48
	45	-	-	910	1.29	1 420	1.67	2 430	2.09	3 360	2.53	4 510	2.99	5 900	3.47	7 550	3.97
	55	-	-	-	-	820	1.50	1 320	1.95	1 980	2.46	3 320	3.02	4 480	3.61	5 870	4.25
NTZ108	35	1070	1.32	1 700	1.71	2 820	2.10	3 880	2.47	5 150	2.84	6 650	3.20	8 410	3.55	10 440	3.88
	45	-	-	1 120	1.57	1 770	2.03	3 010	2.49	4 080	2.95	5 340	3.40	6 80	3.85	8 530	4.29
	55	-	-	-	-	1 080	1.85	1 710	2.39	2 480	2.94	4 010	3.49	5 200	4.04	6 580	4.60
NTZ136	35	1 500	1.84	2 260	2.38	3 640	2.91	4 920	3.43	6 450	3.92	8 270	4.39	10 410	4.82	12 880	5.21
	45	-	-	1 570	2.27	2 360	2.86	3 890	3.47	5 200	4.08	6 750	4.69	8 570	5.29	10 710	5.87
	55	-	-	-	-	1 540	2.80	2 300	3.47	3 250	4.17	5 200	4.90	6 710	5.64	8 490	6.40
NTZ215	35	2 220	2.65	3 450	3.40	5 640	4.15	7 620	4.90	9 970	5.60	12 700	6.24	15 860	6.79	19 490	7.23
	45	1 190	2.31	2 240	3.17	3 540	4.08	5 970	5.01	8 030	5.94	10 440	6.86	13 220	7.72	16 420	8.52
	55	-	-	-	-	2 050	3.70	3 300	4.81	4 830	5.95	7 860	7.11	10 210	8.26	12 930	9.38
NTZ271	35	3 240	3.75	4 850	4.64	7 750	5.54	10 380	6.44	13 500	7.35	17 170	8.25	21 420	9.16	26 320	10.05
	45	2 120	3.57	3 470	4.61	5 140	5.66	8 380	6.73	11 050	7.81	14 190	8.90	17 840	10.00	22 040	11.10
	55	-	-	-	-	3 390	5.58	4 980	6.82	6 940	8.09	10 950	9.38	13 940	10.69	17 410	12.02
NTZ430	35	4 430	5.30	6 910	6.80	11 270	8.31	15 250	9.79	19 930	11.19	25 400	12.47	31 730	13.58	38 970	14.47
	45	2 370	4.61	4 480	6.33	7 080	8.15	11 930	10.02	16 060	11.89	20 880	13.71	26 450	15.44	32 840	17.04
	55	-	-	-	-	4 090	7.41	6 590	9.61	9 660	11.89	15 720	14.21	20 430	16.52	25 860	18.77
NTZ542	35	6 480	7.50	9 690	9.28	15 500	11.08	20 760	12.89	27 000	14.70	34 330	16.51	42 840	18.31	52 630	20.10
	45	4 240	7.14	6 940	9.21	10 290	11.32	16 760	13.46	22 110	15.62	28 380	17.80	35 670	19.99	44 080	22.20
	55	-	-	-	-	6 780	11.15	9 960	13.64	13 890	16.18	21 900	18.76	27 880	21.38	34 810	24.03

Legend: **To:** Evaporating temperature in °C      **Qo:** Cooling capacity in W      Superheat = 10K      Suction temp. = 20°C  
**Tc:** Condensing temperature in °C      **Pe:** Power input in kW      Subcooling = 0 K      Subcooling = 0 K  
 NTZ series are drop-in replacement for LTZ series

**FURTHER REFERENCE**

For more exhaustive information on Maneurop Reciprocating compressors, please refer to the following documents:


**Danfoss Commercial Compressors Online Datasheet Generator**

[www.danfoss.com/odsg](http://www.danfoss.com/odsg)

A new tool, providing user-friendly access to full technical data, performance data and outline drawings for each individual Maneurop reciprocating compressor MT, MTZ, LTZ and NTZ.


**Selection and Application Guidelines for MT, MTZ Maneurop® reciprocating compressors**

Literature: FRCC.PC.004.A1.02 replace GA 035 - 06/01 GB.


**Selection and Application Guidelines for NTZ Maneurop® reciprocating compressors**

Literature: FRCC.PC.002.A1.02 replace GA 041 - 06/01 GB.

With nominal performance data, operating envelopes, outline drawings, electrical data, for NTZ compressors.


**Selection and Application Guidelines for Maneurop MTM, MTZ & NTZ tandem assemblies**

With performance data, operating envelopes, outline drawings, electrical data, installation and application information for Maneurop MTM, MTZ and NTZ tandem assemblies.


**Parallel Application Guidelines for Maneurop MT, MTZ, LTZ and NTZ compressors**

With information about oil equalization, suction and discharge lines, compressor control sequence, system components and installation and application information, for mounting in parallel Maneurop MT, MTZ, LTZ and NTZ compressors.

All above documents are available for download from our website: <http://cc.danfoss.com>



## The Danfoss product range for the refrigeration and air conditioning industry

Danfoss Refrigeration & Air Conditioning is a worldwide manufacturer with a leading position in industrial, commercial and supermarket refrigeration as well as air conditioning and climate solutions.

We focus on our core business of making quality products, components and systems that enhance performance and reduce total life cycle costs – the key to major savings.



*Controls for  
Commercial Refrigeration*



*Controls for  
Industrial Refrigeration*



*Electronic Controls &  
Sensors*



*Industrial Automation*



*Household Compressors*



*Commercial Compressors*



*Sub-Assemblies*



*Thermostats*

We are offering a single source for one of the widest ranges of innovative refrigeration and air conditioning components and systems in the world. And, we back technical solutions with business solution to help your company reduce costs, streamline processes and achieve your business goals.

**Danfoss A/S • [www.danfoss.com](http://www.danfoss.com)**